

Material Purchase List:

Makes one complete 2019 OCCRA Goal structure

6 pcs - 2 x 8 x 8'

5 pcs - 2 x 4 x 8'

4 pcs - 1 x 4 x 8'

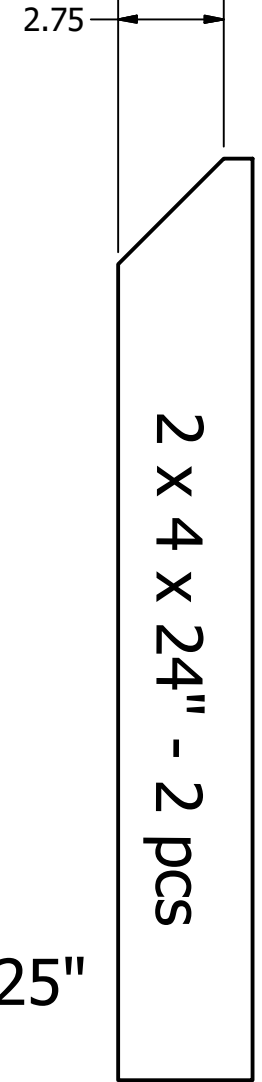
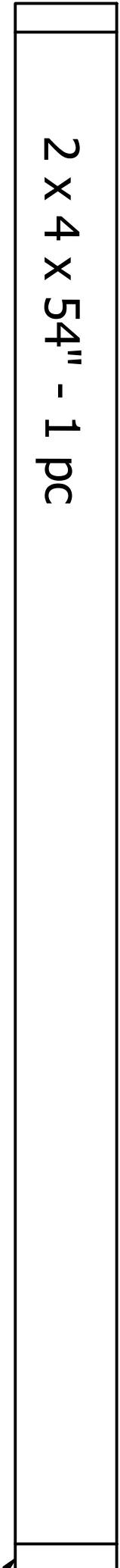
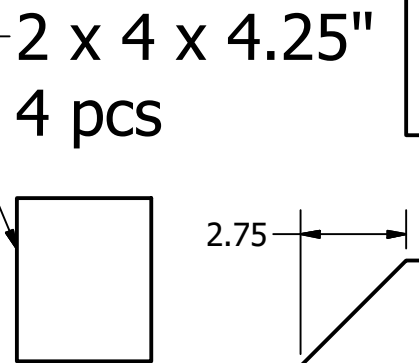
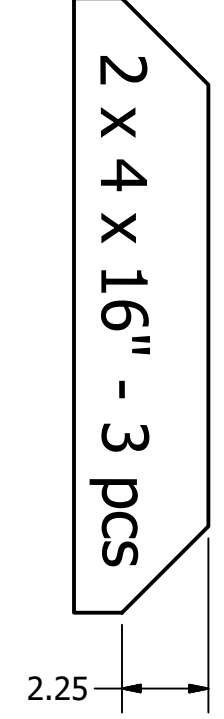
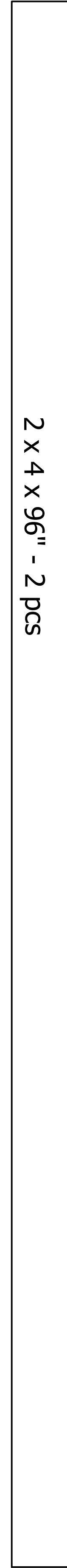
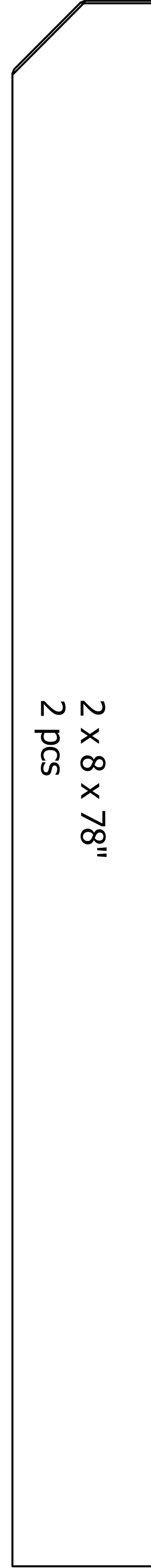
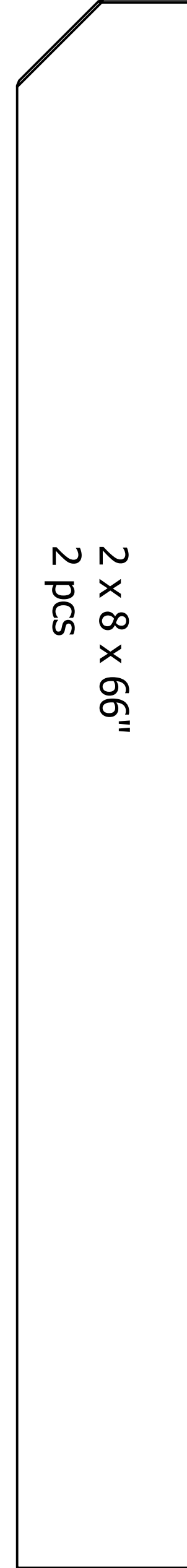
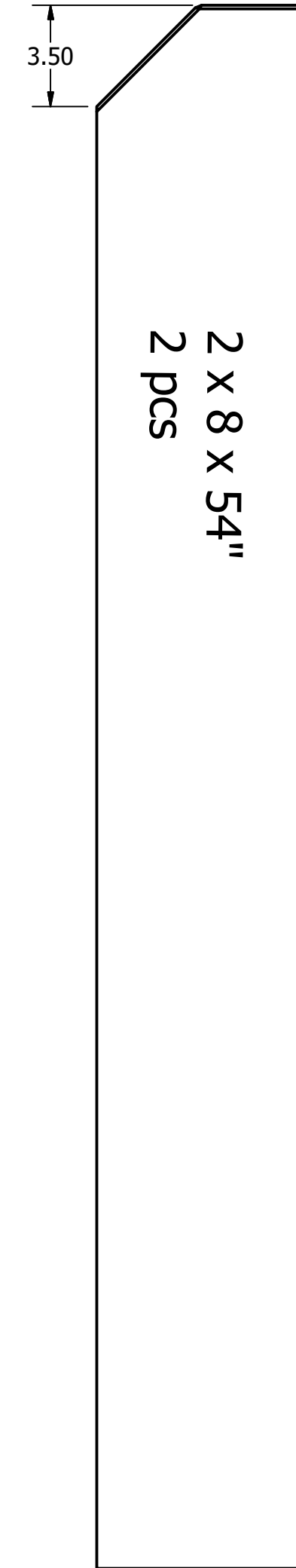
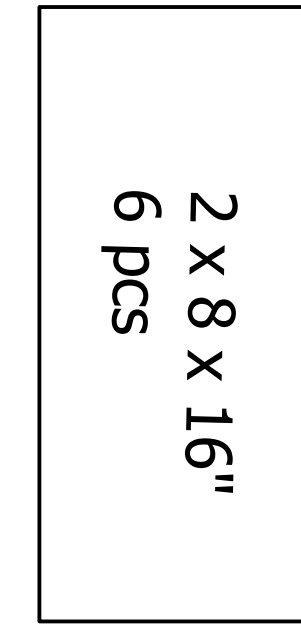
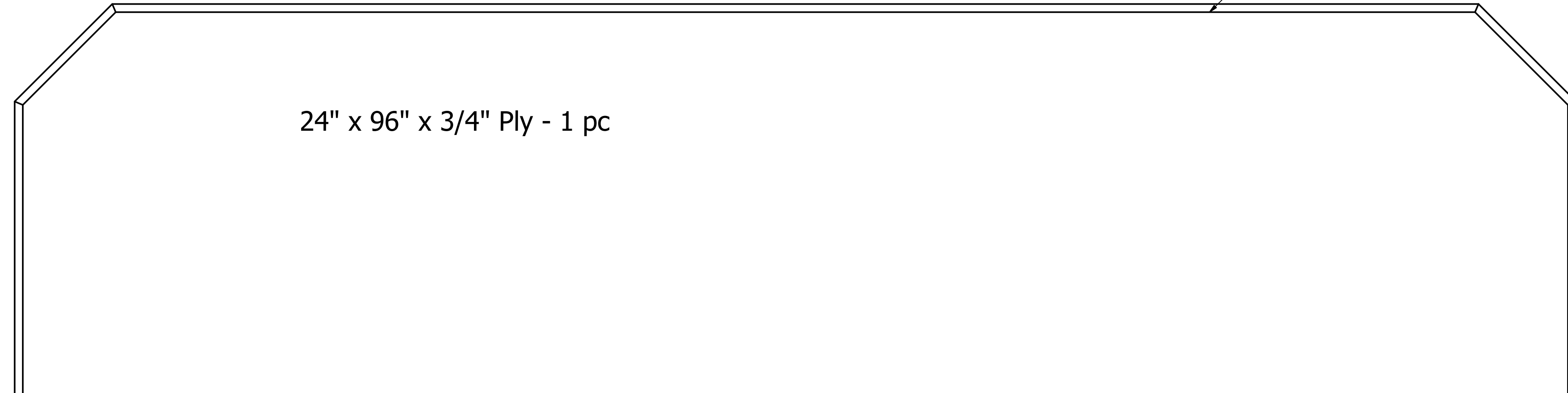
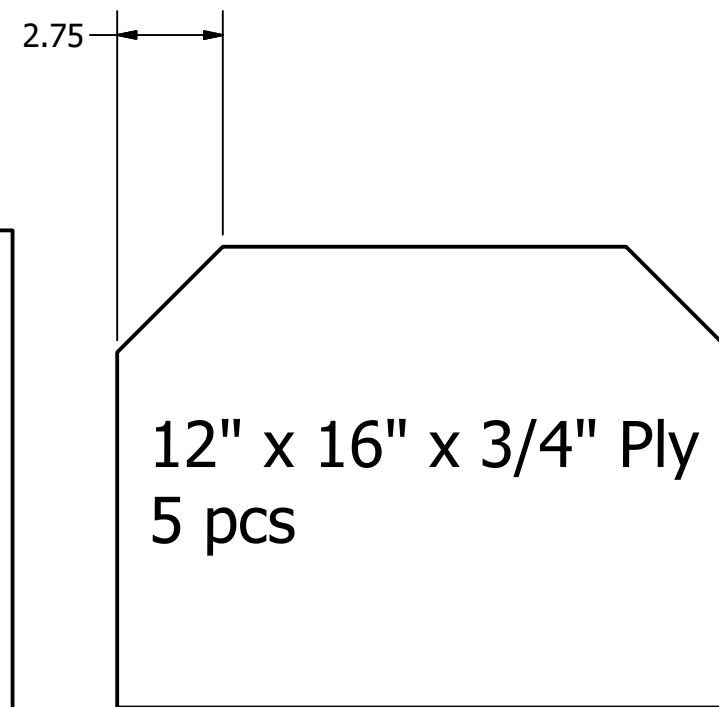
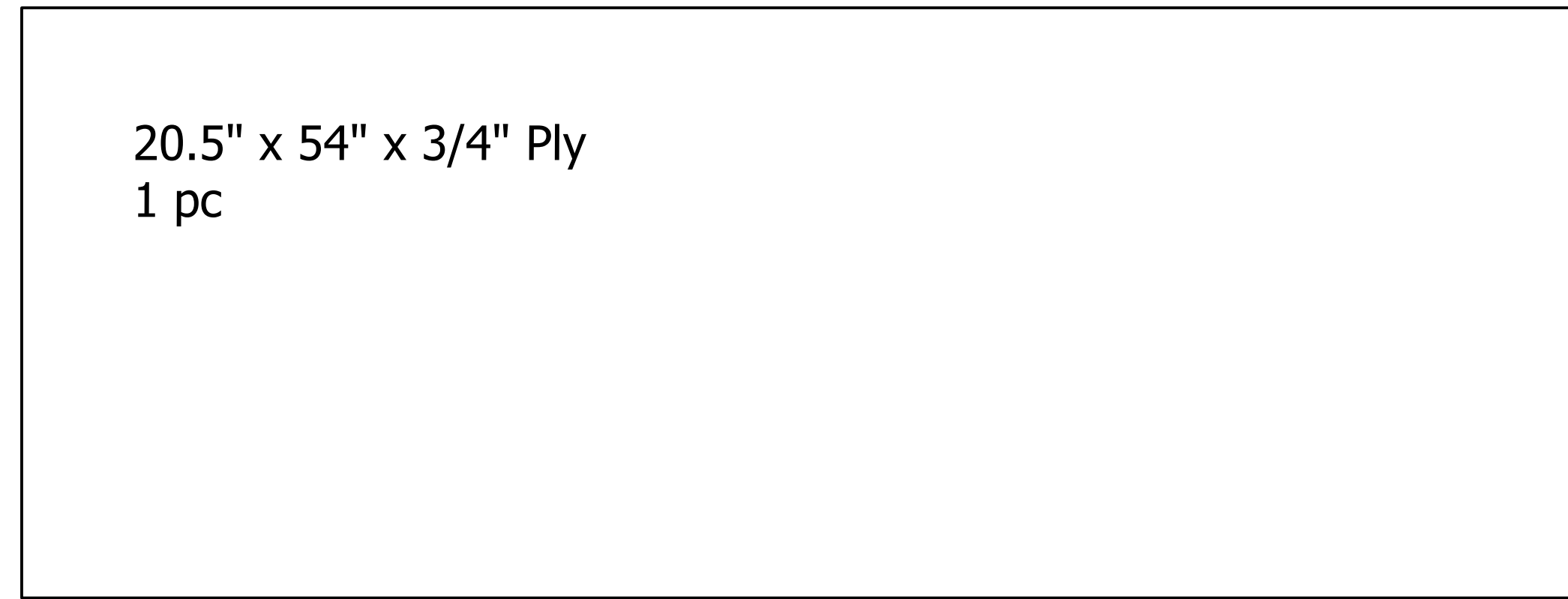
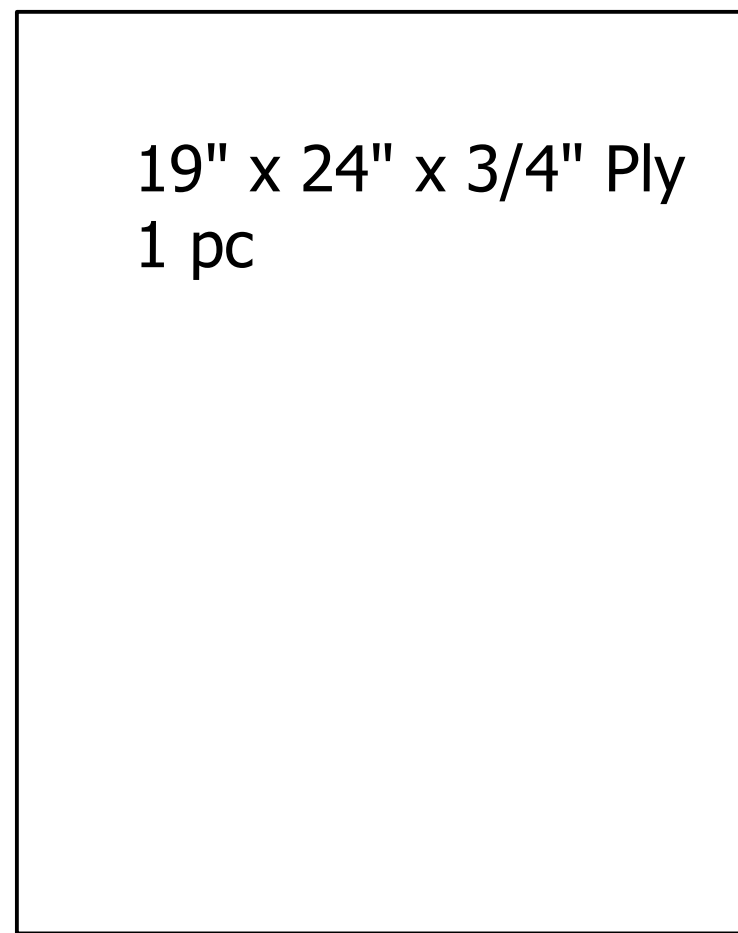
1 sheet - 4' x 8' x 3/4" ply

1 sheet - 2' x 4' x 3/4" ply

2" deck screws

3" deck screws

Construction adhesive.



45 deg chamfer - 1/2"

45 Degree Chamfer - 1"

D

C

B

A

D

C

B

A

8

7

6

5

4

3

2

1

8

7

6

5

4

3

2

1

2.75

2.25

2.75

2.75

3.50

6.00